



- Elegant and sophisticated design, add the extra value and esthetic feeling into applications
- Professional selection of engineering materials, overcome the harshest of your environment
- Friendly handling and module design, save your treasure time while installation
- Flexible and module assembly, effectively decrease the cost of stock
- Whole series slim; delicate and light, up to the requirement of protection IP40 and IP65
- Lower and flush mounting actuators, highly increase the fine appearance of your panel
- 22、 25 and 30mm mounting holes, fulfill your intentions of choice and replacement




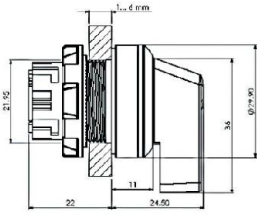
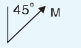
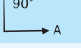
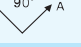
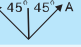
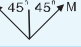

Coding Principle


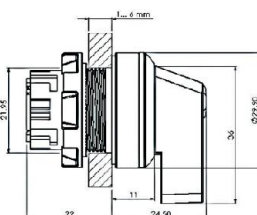
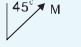
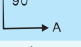
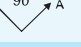



Selector Switches E2S/E3S	E	2	S	1	K	1	A	3	L	Y	.V	.I
---------------------------	---	---	---	---	---	---	---	---	---	---	----	----


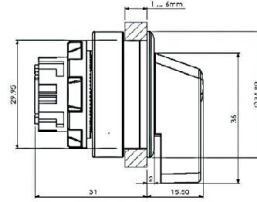
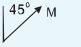
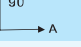
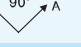

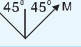
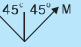
Part No.	Code Description
E	Classification : E=IP40 Standard H=IP65 Rubber-sealed
2	Mounting size : 2=22mm、 25mm Standard mounting 3= 30mm Flush mounting
S1	Handling type : S1=2 Positions, momentary 45° ; S2=2 Positions, maintained 90° S3=3 Positions, left maintained 45° right maintained 45° S4=3 Positions, left momentary 45° right momentary 45° S5=3 Positions, left maintained 45° right momentary 45°
K	Handle type : K=Short handle (knob), L=Long handle (lever)
1A	Contact mode : A=1NO B=1NC, provide 1A,2A,3A,4A,1B,2B,3B,4B,AB,2A2B,3A3B,2A1B,1A2B,3A1B,1A3B
3	Operating voltage : 1=6VDC,2=12VDC,3=24VDC,4=110VAC,5=220VAC
L	Light source : D=Incandescent lamp, A=Discharged lamp, L=LED lamp,Omission=Without lamp
Y	Lamp color : While LED lamp installed, please add this code to identify the color of LED R=Red, Y=Yellow, G=Green, B=Blue, W=White
.V	Handle shape : V=V shape, Omission= L shape(only for S2 handing type)
.I	Handle appearance : I=Transparent, Omission=Non-transparent


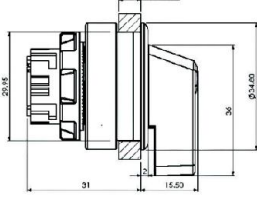
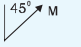
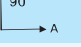
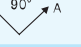
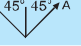
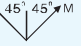
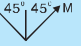
Drawing

E2SK Knob Selector	Drawing	Handling Type	Part No.
		2 positions, momentary 45°	E2S1K□□
		2 positions, maintained 90°	E2S2K□□
		2 positions, maintained 90° _V shape	E2S2K□□.V
		3 positions, left main.right main. 45°	E2S3K□□
		3 positions, left mome.right mome.45°	E2S4K□□
		3 positions, left main.right mome. 45°	E2S5K□□
E2SK Knob Selector	Drawing	Handling Type	Part No.
		2 positions, momentary 45°	E2S1K□□◇L△.I
		2 positions, maintained 90°	E2S2K□□◇L△.I
		2 positions, maintained 90° _V shape	E2S2K□□◇L△.V.I
		3 positions, left main.right main. 45°	E2S3K□□◇L△.I
		3 positions, left mome.right mome.45°	E2S4K□□◇L△.I
		3 positions, left main.right mome. 45°	E2S5K□□◇L△.I
E3SK Flush Knob Selector	Drawing	Handling Type	Part No.
		2 positions, momentary 45°	E3S1K□□
		2 positions, maintained 90°	E3S2K□□
		2 positions, maintained 90° _V shape	E3S2K□□.V
		3 positions, left main.right main. 45°	E3S3K□□
		3 positions, left mome.right mome.45°	E3S4K□□
		3 positions, left main.right mome. 45°	E3S5K□□
E3SK Flush Knob Selector	Drawing	Handling Type	Part No.
		2 positions, momentary 45°	E3S1K□□◇L△.I
		2 positions, maintained 90°	E3S2K□□◇L△.I
		2 positions, maintained 90° _V shape	E3S2K□□◇L△.V.I
		3 positions, left main.right main. 45°	E3S3K□□◇L△.I
		3 positions, left mome.right mome.45°	E3S4K□□◇L△.I
		3 positions, left main.right mome. 45°	E3S5K□□◇L△.I

E2SL Lever Selector	Drawing	Handling Type	Part No.	
		 45° M	2 positions, momentary 45°	E2S1L□□
		 90° A	2 positions, maintained 90°	E2S2L□□
		 90° A	2 positions, maintained 90° _V shape	E2S2L□□.V
		 A 45° 45° A	3 positions, left main.right main. 45°	E2S3L□□
		 M 45° 45° M	3 positions, left mome.right mome.45°	E2S4L□□
		 A 45° 45° M	3 positions, left main.right mome. 45°	E2S5L□□

E2SL Lever Selector	Drawing	Handling Type	Part No.	
		 45° M	2 positions, momentary 45°	E2S1L□□◇L△.I
		 90° A	2 positions, maintained 90°	E2S2L□□◇L△.I
		 90° A	2 positions, maintained 90° _V shape	E2S2L□□◇L△.V.I
		 A 45° 45° A	3 positions, left main.right main. 45°	E2S3L□□◇L△.I
		 M 45° 45° M	3 positions, left mome.right mome.45°	E2S4L□□◇L△.I
		 A 45° 45° M	3 positions, left main.right mome. 45°	E2S5L□□◇L△.I

E3SL Flush Lever Selector	Drawing	Handling Type	Part No.	
		 45° M	2 positions, momentary 45°	E3S1L□□
		 90° A	2 positions, maintained 90°	E3S2L□□
		 90° A	2 positions, maintained 90° _V shape	E3S2L□□.V
		 A 45° 45° A	3 positions, left main.right main. 45°	E3S3L□□
		 M 45° 45° M	3 positions, left mome.right mome.45°	E3S4L□□
		 A 45° 45° M	3 positions, left main.right mome. 45°	E3S5L□□

E3SL Flush Lever Selector	Drawing	Handling Type	Part No.	
		 45° M	2 positions, momentary 45°	E3S1L□□◇L△.I
		 90° A	2 positions, maintained 90°	E3S2L□□◇L△.I
		 90° A	2 positions, maintained 90° _V shape	E3S2L□□◇L△.V.I
		 A 45° 45° A	3 positions, left main.right main. 45°	E3S3L□□◇L△.I
		 M 45° 45° M	3 positions, left mome.right mome.45°	E3S4L□□◇L△.I
		 A 45° 45° M	3 positions, left main.right mome. 45°	E3S5L□□◇L△.I

- Remarks:
- Handling type: M= Momentary, A= Maintained ; mome.= Momentary, main.= Maintained
  - Contact mode: 1A=1NO, 1B=1NC, AB=1NO+1NC, 2A=2NO, 2B=2NC and etc.  
Note that the sequence of contact blocks should be consistent with the handling type, in this situation, AB means left A contact and right B,BA means left B contact and right A.
  - ◇Lamp Voltage:1=6VDC, 2=12VDC, 3=24VDC, 4=110VAC, 5=220VAC  
L=LED lamp,D= Incandescent lamps,A=Discharged lamps(Incandescent lamps powered by 110VAC,220VAC are not available. Discharged lamps powered by 110 VAC、 220VAC are available only. Omission=without lamp.
  - △Light source color : R=Red, Y=Yellow, G=Green, B=Blue, W=White.
  - Pushbutton without lamp could be attached the 3rdcontact. Please add extra A or B code following the contact mode to present the mode of the 3rdcontact, A means 1 normally open and B1 normally close.
  - Please change "E" to "H" for protection rating IP65.
  - Please add \*M in the last of order no. if you would like to change the black plastic front ring to the metal ring.
  - Please add 'R, 'Y, 'G, 'B, 'W, 'K, 'E if plastic ring of red, yellow, blue, white, black, grey to be replaced.

Drawing